



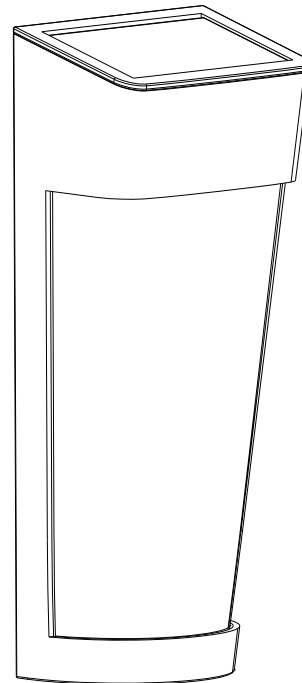
SOLAR WEDGE LIGHT

model no. 25407

ASSEMBLY INSTRUCTIONS

IMPORTANT: Please read this manual carefully before beginning assembly of this product.

Keep this manual for future reference.



Overview

This product is designed to the highest technical specifications and standards. It will supply years of maintenance-free use. Please read these instructions thoroughly prior to installation, then store in a safe place for future reference.

About Your Solar Light

During the day your solar panel will convert the sun's light and/or UV rays into electrical power that will charge the rechargeable battery. When it becomes dark, the solar light will turn on using the power stored in the rechargeable battery as it will detect no daylight. The unit's light output strength and duration depends on how many hours and how much sunlight and/or UV rays your panel absorbs throughout the day.

For maximum output place the solar panel in an area where there is direct sunlight for at least 8 hours in a given day. Do not install your solar light in a shaded area. The selected location should not be near nighttime light sources such as porch lights, street lights or pool lights, as these may cause the solar light to turn off prematurely.

2 model no. 25407

Getting Started

Please do not throw away any packing material until all parts are verified as present.

Important

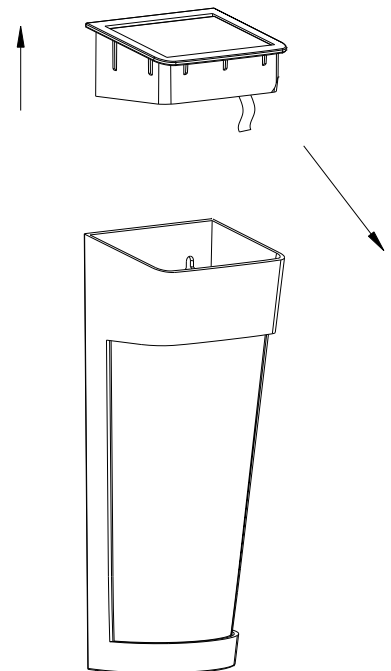
- Fully charge the battery before first use.
- For best results, locate your solar lamp in a position where it can get direct sunlight on the solar panel and is generally free from cover and shade.
- Keep your solar lights away from other nighttime light sources, such as streetlights.
- Make sure the solar panels are not covered by dust, snow and debris. Clean it with a soft damp cloth or paper towel periodically. Avoid the use of abrasive cleaning agents.
- Use only rechargeable batteries for your solar lights. Replace with a new battery of the same size each year for optimum performance.

Assembly & Operation

For First Time Use:

- Step 1: Remove the pull tab from the battery compartment (figure 1).
- Step 2: Fully charge the battery before first use. Charge under direct sunlight for 2 days. Once fully charged, your solar light will automatically turn on once it gets dark.

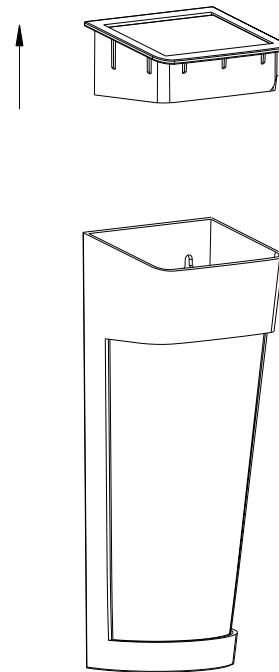
figure 1



Installation

- Step 1: Measure and mark with a pencil on the post or wall where you will need to pre-drill for screws or wall anchors (if required for wall mount installation).
- Step 2: With a drill and appropriate sized bit, make holes for screws or wall anchors (if required for wall mount installation).
- Step 3: Secure screws in pre-drilled holes in post. If wall mount installation; use a hammer to tap the wall anchors all the way into the wall and then secure screws into wall anchors.
- Step 4: Line up the holes on the back of the light with the screws to secure.

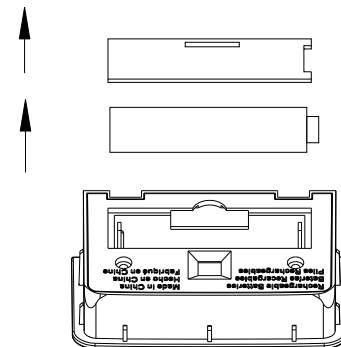
figure 2



Battery Replacement

- Step 1: Carefully remove the solar housing from the base (figure 2).
- Step 2: Remove the battery compartment cover. Carefully remove the old battery (figure 3).
- Step 3: Replace battery with an equivalent new solar rechargeable battery, ensuring the correct polarity is observed.
- Step 4: Reassemble the unit by reversing the above procedure.
- Step 5: Fully charge the battery before first use. Charge under direct sunlight for 2 days. Once fully charged, your solar light will automatically turn on once it gets dark.

figure 3



CAUTION: Rechargeable batteries contain nickel-cadmium or nickel-metal hydride and must be recycled or disposed of properly. Do not mix old and new batteries. Do not mix alkaline, standard (carbon-zinc), or rechargeable batteries. Do not dispose of batteries in fire. Batteries may explode or leak.

4 model no. 25407

Troubleshooting Tips

If your solar light does not come on at dusk despite following all instructions please try the following steps:

1. Make sure that the solar light is not affected by any other light source.
2. Ensure the solar light does not stand in the shade all day.
3. Check to see if the batteries are installed correctly.
4. Battery may need to be replaced.

Care Information

1. Clean any dirt and debris from the solar panel. The panel cannot recharge if the light is obstructed. Use a soft cloth to clean the panel. Do not use abrasives or chemicals that might scratch or damage the UV coating.
2. In a region where snow and ice are likely and the light assembly is covered with snow for an extended period of time the batteries will require a recharge for at least 8 hours.
3. To prolong the life of the product, it is recommended to store the product indoors during the winter months. Remove the batteries and store in a dry location.

1-Year Limited Product Warranty

This product is covered under a one year limited warranty. Fusion Products Ltd. warrants to the original purchaser that this product is free from defects in materials and workmanship for the period of one year from date of purchase.

For Technical Support and/or Warranty inquiries please contact:

Fusion Products Ltd.

Monday to Friday

8:00-4:00 PM EST

5 Cherry Blossom Road, Unit 7

Cambridge, Ontario N3H 4R7

Tel: 1-877-615-1378 Fax: (519) 650-0202

Email: support@fusionproducts.ca

Website: www.fusionproducts.ca